

Model TXI7850 Moisture Resistant Electro-Pneumatic Transducer

B

**Model
TXI
7850**



Features

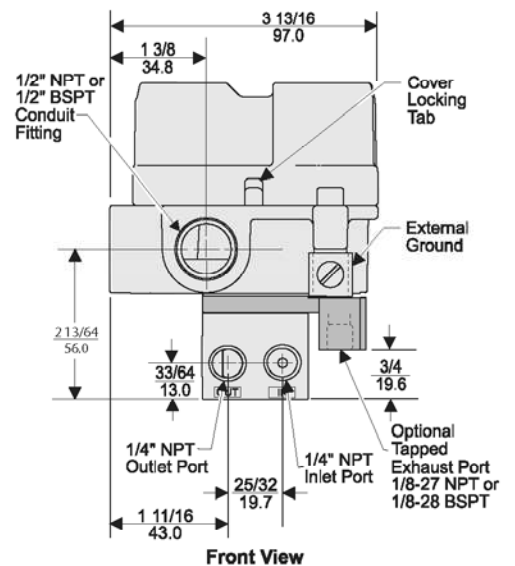
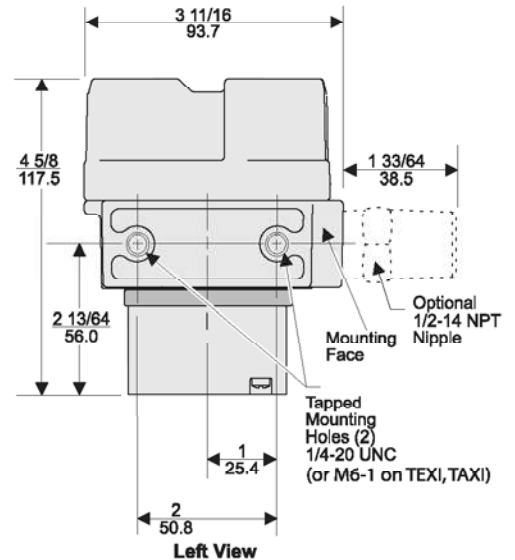
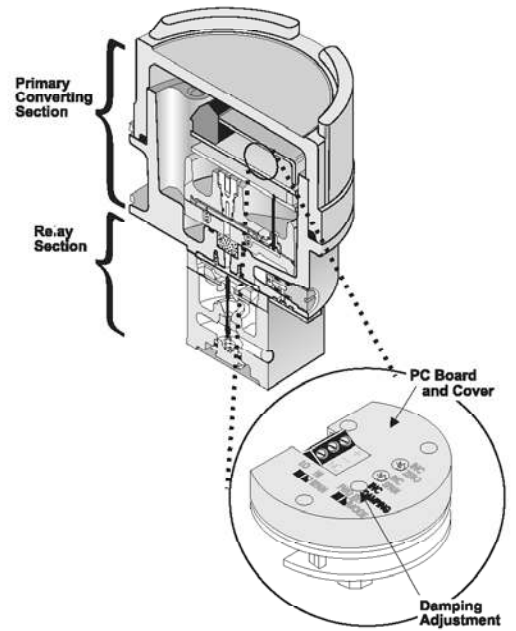
- Explosion-proof NEMA 4X, IP65, Type 4 enclosure for outdoor and indoor installations.
- Optional tapped exhaust port vents exhaust gas.
- Canadian Registration Numbers (CRN) certification for all territories and provinces.
- Does not contain copper-based metals.
- Compact size for use in restricted areas.
- Internal electronic feedback maintains precise output pressure control.
- Piezoelectric actuator disk provides stability regardless of vibration or position.
- RFI/EMI protection eliminates susceptibility to electromagnetic interference.
- Optional version approved for use with Natural Gas or Industrial Methane as a supply media.
- Encapsulated critical components designed to make unit moisture resistant in tough environments

Operating Principles

The Model TXI7850 Transducer is an electronically controlled pressure sensitive device that converts a current signal to a pneumatic output. This device is composed of the Primary Converting Section and the Relay Section. The Piezoelectric ceramic disk in the Primary Section functions as a flapper. The flapper and the nozzle work together to control the signal pressure in the Relay Section. The signal pressure acts on a diaphragm assembly that controls the pressure in the output chamber.

The output pressure is sensed by the lower control diaphragm to maintain the output pressure. The output pressure is also sensed by the feedback control circuit, which compares the output pressure and input signal (setpoint) to maintain constant output pressure.

The Damping Adjustment on the PC Board allows tuning the transducer for optimum response and stability. Large downstream volumes generally require more damping to achieve output pressure stability.



Model TXI7850 Moisture Resistant Electro-Pneumatic Transducer

Specifications

		SET POINT			
		3 [0.2] (20)	9 [0.6] (60)	15 [1.0] (100)	30 [2.0] (200)
Maximum Air Consumption	psig [BAR] (kPa) SCFH	3.5 (.10 m ³ /HR)	7.0 (.20 m ³ /HR)	9.5 (.27 m ³ /HR)	13.5 (.38 m ³ /HR)
Flow Rate (SCFM)		2.5 (4.25 m ³ /HR) @ 25 psig, [1.7 BAR], (170 kPa) supply & 9 psig, [0.6 BAR], (60 kPa) Output		OR	9.0 (15.3 m ³ /HR) @ 120 psig, [8.0 BAR], (800 kPa) supply & 9 psig, [0.6 BAR], (60 kPa) Output
Temperature Range	Operating Storage	-40°F to + 160°F, (-40°C to + 71.2°C) -40°F to + 180°F, (-40°C to + 82.2°C)			
Span/Zero Adjustments		Screwdriver adjustments located under cover			
		OUTPUT RANGE			
		3-15 [0.2-1.0] (20-100)	3-27 [0.2-1.8] (20-180)	6-30 [0.4-2.0] (40-200)	
Input Range	psig [BAR] (kPa)	4-20 mA			
Supply Pressure ^{1,2}		20-120 [1.5-8.0] (150-800)	32-120 [2.2-8.0] (220-800)	35-120 [2.4-8.0] (240-800)	
Minimum Span		5 [0.35] (35)	10 [0.7] (70)	10 [0.7] (70)	
Frequency Response		-3 db @ 5 Hz per ISA S26.4.3.1 load configuration A.			
Required Operating Voltages		7.2 VDC @ 20 mA (4-20 mA signal)			
Accuracy (ISA S51.1)		0.25% Full Scale Guaranteed 0.15% Full Scale Typical			
Hysteresis (ISA S51.1)		≤ 0.1% Full Scale			
Deadband		≤ 0.02% Full Scale			
Repeatability (ISA S51.1)		≤ 0.1% Full Scale			
Position Effect		No Measurable Effect			
Vibration Effect		Less than ±1% of Span under the following conditions: 5-15 Hz @ 0.75 inches constant displacement 15-500 Hz @ 10 Gs.			
Reverse Polarity Protection		No damage occurs from reversal of normal supply current (4-20 mA) or from misapplication of up to 60 mA.			
RFI/EMI Effect		Less than 0.5% of span @ 30 μ m class 3 Band ABC (20-1000 mHz) per SAMA PMC 33.1 1978 and less than 0.5% of Span @ 10 μ m level, to 2 GHz Band per EN 61000-4-3:1998 +A1 EMC Directive 89/336/EEC European Norms EN 61326			
Supply Pressure Effect		No Measurable Effect			
Temperature Effect		[+0.5% +0.04% / °F Temperature Change] of Span typical			
Materials of Construction		Body and Housing Chromate Treated Aluminum Orifice Aluminum & Sapphire Trim Stainless Steel & Zinc Plated Steel Elastomers Nitrile Finish Epoxy Powder Coating			

B

**Model
TXI
7850**

¹ Supply Pressure must be no less than 5 psig, [0.35 BAR], (35 kPa), above maximum output.

² ATEX Approved unit 40 psig, [2.8 BAR], (280 kPa). ATEX Approved unit with "N" option 125 psig, [8.5 BAR], (850 kPa) for air or Group IIA Gases.

Model TXI7850 Moisture Resistant Electro-Pneumatic Transducer

B

**Model
TXI
7850**

Extended Range Specifications



		SET POINT				
		0 [0] (0)	15 [1.0] (100)	30 [2.0] (200)	60 [4.0] (400)	120 [8.0] (800)
		psig [BAR] (kPa)				
Maximum Air Consumption	0-30 psig SCFH	3.1 (.09 m ³ /HR)	7.8 (.22 m ³ /HR)	11.8 (.33 m ³ /HR)		
	0-60 psig SCFH	1.6 (0.4 m ³ /HR)	4.7 (.13 m ³ /HR)	7.8 (.22 m ³ /HR)	13.3 (.37 m ³ /HR)	
	0-120 psig SCFH	0.5 (.01 m ³ /HR)		3.8 (.11 m ³ /HR)	7.6 (.21 m ³ /HR)	15.1 (.42 m ³ /HR)
Flow Rate (SCFM)		11.0 (18.7 m ³ /HR) @ 150 psig, [10 BAR], (1000 kPa) supply & midscale output				
Temperature Range	Operating Storage	-40°F to + 160°F, (-40°C to + 71.2°C) -40°F to + 180°F, (-40°C to + 82.2°C)				
Span/Zero Adjustments		Screwdriver adjustments located on front of unit				
Required Operating Voltages		Two Wire Current Input 7.2 VDC @ 20 mA (4-20 mA signal)				
Supply Voltages		Three Wire Voltage Input 7.2 - 30 VDC, less than 3 mA				
Signal Impedance		Three Wire Voltage Input 10 Kilohms				

		OUTPUT RANGE		
		0-30 [0-2.0] (0-200)	0-60 [0-4.0] (0-400)	0-120 [0-8.0] (0-800)
		psig [BAR] (kPa)		
Input Range		4-20 mA DC, 0-10 VDC, 1-9 VDC		
Supply Pressure ¹		35-150 [2.4-10] (240-1000)	65-150 [4.6-10] (460-1000)	125-150 [8.8-10] (880-100)
Minimum Span		12.5 [0.85] (85)	25 [1.5] (150)	50 [3.0] (300)
Frequency Response		-3 db @ 2 Hz per ISA S26.4.3.1 load configuration A.		
Accuracy (ISA S51.1)		0.25% Full Scale Guaranteed 0.15% Full Scale Typical		
Hysteresis (ISA S51.1)		0.25% Full Scale		
Deadband		0.02% Full Scale		
Repeatability (ISA S51.1)		0.1% Full Scale		
Position Effect		0.125% @ 90° & 0.25% @ 180°		
Vibration Effect		Less than +1% of Span under the following conditions: 5-15 Hz @ 0.8 inches constant displacement 15-500 Hz @ 10 Gs.		
Reverse Polarity Protection		No damage occurs from reversal of normal supply current (4-20 mA) or from misapplication of up to 60 mA.		
RFI/EMI Effect		Less than 0.5% of span @ 30 ^μ /m class 3 Band ABC (20-1000 mHz) per SAMA PMC 33.1 1978 and less than 0.5% of Span @ 10 ^μ /m level, to 2 GHz Band per 61000-4-3:1998 +A1 EMC Directive 89/336/EEC European Norms EN 61326		
EN				
Supply Pressure Effect		< 0.1 psig change for 10 psig supply change		
Temperature Effect		[+0.5% +0.06% / °F Temperature Change] of Span typical		
Materials of Construction		Body and Housing Chromate Treated Aluminum Orifice Nickel Plated Brass & Sapphire Trim Stainless Steel, Brass & Zinc Plated Steel Elastomers Nitrile Finish Epoxy Powder Coating		

¹ Supply Pressure must be no less than 5 psig, [0.35 BAR], (35 kPa), above maximum output
² ATEX Approved unit 40 psig, [2.8 BAR], (280 kPa). ATEX Approved unit with "N" option 125 psig, [8.5 BAR], (850 kPa) for air or Group IIA Gases.

Model TXI7850 Moisture Resistant Electro-Pneumatic Transducer

Hazardous Area Classifications

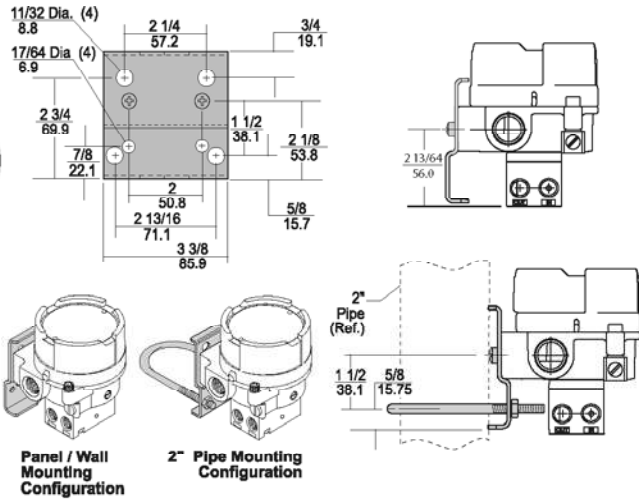
	Explosion-Proof	Intrinsically Safe															
Factory Mutual (FM) Approvals 	Air as supply pressure media Class I, Division 1, Groups B, C and D; Class II, Division 1, Groups E, F and G; Class III, Division 1, Fibers; Class I, Division 2, Groups A, B, C and D; Max. Ambient 65°C; Temperature Code T5; NEMA 4X Enclosure.	Air as supply pressure media Class I, Division I, Groups C and D; Class II, Division 1, Groups E, F and G; Class III, Division 1; Fibers; NEMA 4X Enclosure; Temperature Code T4 (Ta -40°C to +66°C). T6 (Ta -40°C to +40°C)															
	Group D gases, including Natural Gas as supply pressure media Class I, Division 1, Groups C and D; Class II, Division 1, Groups E, F and G; Class I, Division 2, Groups A, B, C and D; Class II, Division 2, Groups E, F and G.	<table border="1"> <tr> <th colspan="2">Entity Parameters</th> </tr> <tr> <td>V_{max}¹ = 30 VDC</td> <td>C_i³ = Zero</td> </tr> <tr> <td>I_{max}² = 200 mA</td> <td>L_i⁴ = Zero</td> </tr> <tr> <td>¹V_{max} = Max. Voltage</td> <td>³C_i = Capacitance</td> </tr> <tr> <td>²I_{max} = Max. Current</td> <td>⁴L_i = Inductance</td> </tr> </table>	Entity Parameters		V _{max} ¹ = 30 VDC	C _i ³ = Zero	I _{max} ² = 200 mA	L _i ⁴ = Zero	¹ V _{max} = Max. Voltage	³ C _i = Capacitance	² I _{max} = Max. Current	⁴ L _i = Inductance					
Entity Parameters																	
V _{max} ¹ = 30 VDC	C _i ³ = Zero																
I _{max} ² = 200 mA	L _i ⁴ = Zero																
¹ V _{max} = Max. Voltage	³ C _i = Capacitance																
² I _{max} = Max. Current	⁴ L _i = Inductance																
Canadian Standards Association (CSA) Approvals 	Air as supply pressure media Class I, Division 1, Groups B, C and D; Class II, Division 1, Groups E, F and G; Class I, Division 2, Groups A, B, C and D; Class II, Division 2, Groups E, F and G. Max. Ambient 65°C; Temperature Code T5; Type 4X Enclosure.	Air as supply pressure media Class I, Division 1, Groups C and D; Class II, Division 1, Groups E, F and G; Temperature Code T4A (Ta -40°C to +66°C) Type 4X Enclosure; T6 (Ta -40°C to +40°C). Rated 4-20 mA, 30 VDC maximum															
	Group D gases, including Natural Gas as supply pressure media Class I, Division 1, Groups C and D; Class II, Division 1, Groups E, F and G; Class I, Division 2, Groups A, B, C and D. Class II, Division 2, Groups E, F and G. Factory Sealed	<table border="1"> <tr> <th colspan="2">Approvals are valid when connected through a Shunt Zener Diode Safety Barrier meeting the following parametric requirements:</th> </tr> <tr> <td>System Type 1:</td> <td>Single Channel Polarized Rated: 28.5V Max. 300 Ohm Min.</td> </tr> <tr> <td>System Type 2:</td> <td>Dual Channel Polarized 28.5V Max. 300 Ohm Min. and 28V Diode return per channel</td> </tr> <tr> <td>System Type 3:</td> <td>Dual Channel Polarized Rated: 28.5V Max. 300 Ohm Min. and 10V Max. 50 Ohm Min.</td> </tr> </table>	Approvals are valid when connected through a Shunt Zener Diode Safety Barrier meeting the following parametric requirements:		System Type 1:	Single Channel Polarized Rated: 28.5V Max. 300 Ohm Min.	System Type 2:	Dual Channel Polarized 28.5V Max. 300 Ohm Min. and 28V Diode return per channel	System Type 3:	Dual Channel Polarized Rated: 28.5V Max. 300 Ohm Min. and 10V Max. 50 Ohm Min.							
Approvals are valid when connected through a Shunt Zener Diode Safety Barrier meeting the following parametric requirements:																	
System Type 1:	Single Channel Polarized Rated: 28.5V Max. 300 Ohm Min.																
System Type 2:	Dual Channel Polarized 28.5V Max. 300 Ohm Min. and 28V Diode return per channel																
System Type 3:	Dual Channel Polarized Rated: 28.5V Max. 300 Ohm Min. and 10V Max. 50 Ohm Min.																
Explosive Atmospheres Directive (ATEX) Approvals	Flame-Proof	Intrinsically Safe															
	Air as supply pressure media Ⓢ II 2 GD EEx d IIB + H ₂ , T5 (-20°C to +65°C) Ambient; IP65 Enclosure. 02ATEX1014	Air as supply pressure media Ⓢ II 1 G (T4) II1D (T 85°C) EEx ia IIB, T4 (-40°C to +72°C) Ambient; IP65 Enclosure.															
	Group IIA gases, including Natural Gas as supply pressure media Ⓢ II 2 GD EEx d IIB, T5 (-20°C to +65°C) Ambient; IP65 Enclosure.	<table border="1"> <tr> <th colspan="3">Transducer Parameters</th> </tr> <tr> <td>U_{max}¹ = 28 V</td> <td>P_i³ = 0.7 W</td> <td>L_i⁵ = 0</td> </tr> <tr> <td>I_{max}² = 100 mA</td> <td>C_i⁴ = 0/C</td> <td></td> </tr> <tr> <td>¹U_{max} = Max. Voltage</td> <td>³P_i = Max. Power</td> <td>⁵L_i = Inductance</td> </tr> <tr> <td>²I_{max} = Max. Current</td> <td>⁴C_i = Capacitance</td> <td></td> </tr> </table>	Transducer Parameters			U _{max} ¹ = 28 V	P _i ³ = 0.7 W	L _i ⁵ = 0	I _{max} ² = 100 mA	C _i ⁴ = 0/C		¹ U _{max} = Max. Voltage	³ P _i = Max. Power	⁵ L _i = Inductance	² I _{max} = Max. Current	⁴ C _i = Capacitance	
Transducer Parameters																	
U _{max} ¹ = 28 V	P _i ³ = 0.7 W	L _i ⁵ = 0															
I _{max} ² = 100 mA	C _i ⁴ = 0/C																
¹ U _{max} = Max. Voltage	³ P _i = Max. Power	⁵ L _i = Inductance															
² I _{max} = Max. Current	⁴ C _i = Capacitance																
IECEx Approvals	TEXI7850 Ex IIB T4 Gb (T4 -40°C to +64°C) Ex IIIC T74°C Db IECEx SIR 09.0003 IP65 Enclosure	<table border="1"> <tr> <th colspan="3">Transducer Parameters</th> </tr> <tr> <td>U_{max}¹ = 28 V</td> <td>P_i³ = 0.7 W</td> <td>L_i⁵ = 0</td> </tr> <tr> <td>I_{max}² = 100 mA</td> <td>C_i⁴ = 0</td> <td></td> </tr> <tr> <td>¹U_{max} = Max. Voltage</td> <td>³P_i = Max. Power</td> <td>⁵L_i = Inductance</td> </tr> <tr> <td>²I_{max} = Max. Current</td> <td>⁴C_i = Capacitance</td> <td></td> </tr> </table>	Transducer Parameters			U _{max} ¹ = 28 V	P _i ³ = 0.7 W	L _i ⁵ = 0	I _{max} ² = 100 mA	C _i ⁴ = 0		¹ U _{max} = Max. Voltage	³ P _i = Max. Power	⁵ L _i = Inductance	² I _{max} = Max. Current	⁴ C _i = Capacitance	
Transducer Parameters																	
U _{max} ¹ = 28 V	P _i ³ = 0.7 W	L _i ⁵ = 0															
I _{max} ² = 100 mA	C _i ⁴ = 0																
¹ U _{max} = Max. Voltage	³ P _i = Max. Power	⁵ L _i = Inductance															
² I _{max} = Max. Current	⁴ C _i = Capacitance																

B

Model
TXI
7850

Model TXI7850 Moisture Resistant Electro-Pneumatic Transducer

Mounting Kit



B

Model TXI 7850/7851

Model TXI7850 Transducer Kits & Accessories

Mounting Bracket Kits 19021-1: TCXI7850, TFXI7850 (sold separately)
 19021-2: TEXI7850 (sold separately)

Catalog Information

Catalog Number T **XI785** **4**

Underwriting Group
 Canadian Standard C
 ATEX E
 Factory Mutual F

Temperature Range
 -40°F to +160°F 0

Input
 4-20 mA 4

Output

3-15 psig	01
3-27 psig	02
6-30 psig	03
0-30 psig	04
0-60 psig	05
0-120 psig	06
[0.2-1.0 BAR]	11
[0.2-1.8 BAR]	12
[0.4-2.0 BAR]	13
[0-2.0 BAR]	14
[0-4.0 BAR]	15
[0-8.0 BAR]	16
(20-100 kPa)	21
(20-180 kPa)	22
(40-200 kPa)	23
(0-200 kPa)	24
(0-400 kPa)	25
(0-800 kPa)	26

Options

Tapped Exhaust	E
Natural Gas media approval, Group D gases ⁴	N
(Includes Nipple; TCXI, TEXI, TFXI only) ^{1,2}	U
BSPT Thread ³	

20 ft cable length ⁴	2
50 ft cable length ⁴	5
100 ft cable length ⁴	0

¹ Not approved for Intrinsically Safe.
² Tapped Exhaust option required.
³ Available for ATEX only. NOT available with "N" Option.
⁴ 10 ft cable standard. Longer lengths available. Contact factory for details and availability.

Installation

For installation instructions, refer to the *Fairchild Model TXI7850 Explosion-proof Electro-pneumatic Transducer Installation, Installation Instructions, II-5TXI7850*.
 For operation and maintenance instructions, refer to the *Fairchild Model TXI7850/7851 Explosion-proof Electro-pneumatic Transducer Operation and Maintenance Instructions, OM-5TXI7850*.